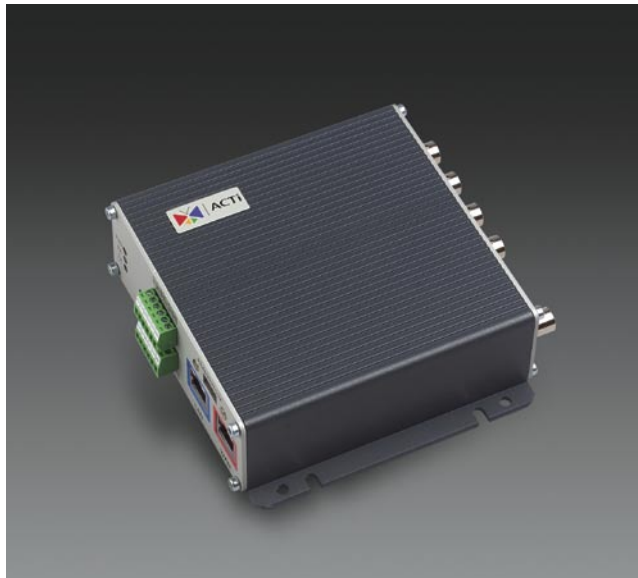


SED-2320Q



- MPEG-4 ASP compliant compression
- CIF up to Full D1 resolution at 30/25 FPS
- Dual MPEG-4 video stream output via LAN and WAN (PPPoE supported) ports at the same time
- QoS enabled (L3) video streaming
- Real-time quad video
- Monitor output displays full-screen or quad image
- Digital time code embedded
- Hardware motion detection
- Two way audio supported
- Isolated digital input and output supported
- Up to 4 analog video inputs blended into one digital MPEG-4 output stream

Quad Display

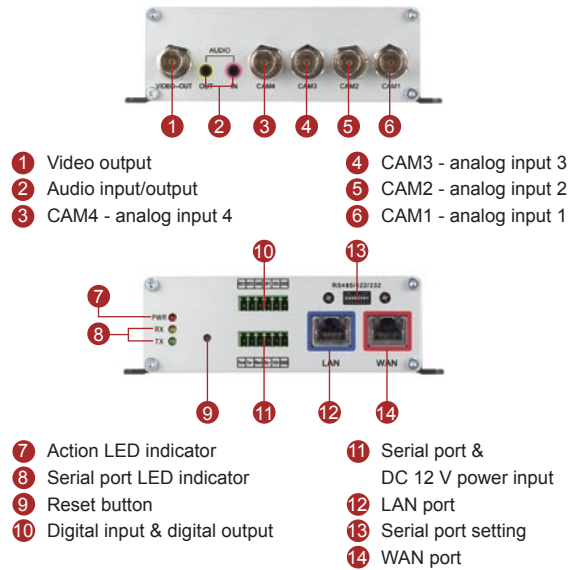


Full-screen

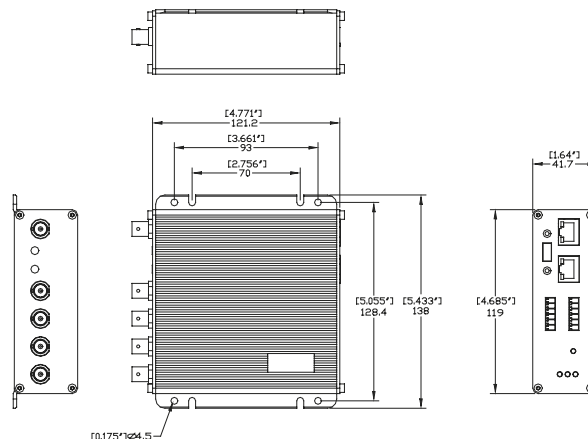


Number of Video Input	Total Stream Output	Full-screen Display (resolution)	Quad Tiling Display (resolution of each channel)
1	1 D1 stream	D1	CIF
2	1 D1 stream	D1	CIF
3	1 D1 stream	D1	CIF
4	1 D1 stream	D1	CIF

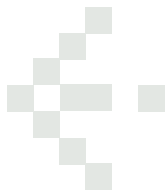
SED-2320Q With audio



DIMENSION DIAGRAM



Unit: mm [inch]

**PRODUCT SPECIFICATION****Video (Compression)**

Compression	MPEG-4 ASP Compliant Compression
Picture Resolution	1 channel : Full D1 (720 x 480 in NTSC, 720 x 576 in PAL) 2 channel : CIF (352 x 240 in NTSC, 352 x 288 in PAL) 3 channel : CIF (352 x 240 in NTSC, 352 x 288 in PAL) 4 channel : CIF (352 x 240 in NTSC, 352 x 288 in PAL)
Bit Rate	28 K ~ 3 M bps
Image Frame Rate	30 fps at full D1 resolution (NTSC); 25 fps at full D1 resolution (PAL)
Multi-stream	Up to 4 configurable frame rate/bit rate streams for preview and recording

Video input

Composite Input	4, CVBS, 1.0Vp-p with 75 Ω loading, BNC connector
-----------------	---

Video Output

Composite Output	1, CVBS, 1.0Vp-p with 75 Ω loading, BNC connector
------------------	---

Audio Input

Compression	8 kHz, Mono, PCM
Audio Line input	Unbalanced, 1.4 Vp-p, 1Vrms, 3.5 mm Jack

Audio Output

Compression	8 kHz, Mono, PCM
Audio Line output	Unbalanced, 1.4 Vp-p, 1Vrms, 3.5 mm Jack

Alarm

Input	1 TTL, terminal block
Output	1 TTL, terminal block

Remote Control

Serial Port	RS-485: half duplex, terminal block; RS-422: full duplex, terminal block; RS-232: full duplex, terminal block
-------------	---

External I/O

Reset Button	Factory default
LED	Power / serial port / network status

Network

LAN Port	Ethernet (10/100Base-T), RJ-45 connector
WAN Port	Ethernet (10/100Base-T), RJ-45 connector
Protocol	TCP, UDP, IP, HTTP, DHCP, PPPoE, RTP, RTSP, FTP, SMTP

Software

Web Browser	Microsoft Internet Explorer 6.0 or above
SDK	ActiveX control, C SDK
PTZ Protocol*	Pelco-P_type1, Pelco-P_type2, Pelco-D, Dynacolor, Samsung, VCL, Videotrek, Kampro-V1, Kampro-V2

Security	Password protection : configured by the administrator
----------	---

Operating

Temperature	5 ~ 50 °C (40 ~ 122 °F), SED-2310Q/SED-2320Q; -30 ~ 70 °C (-22 ~ 158 °F), SED-2310QT/SED-2320QT
-------------	--

Power

Power Requirement	DC 12 V ±10%
Power Consumption	9.6 W

Physical

Dimensions (WxHxD)	119 x 41.7 x 122 mm (4.69" x 1.65" x 4.81")
Weight	470 g (1.04 lb)

* These PTZ protocols are supported in ACTi Streaming Activator and Streaming Explorer.

ORDERING INFORMATION

Model Name	w/ Audio	Extended Temperature
SED-2320Q	V	
SED-2320QT	V	V